

## Breather Filters

Brass

### SPECIFICATION

- Valve body
- Brass **MS**
- Breather cap
- Stainless steel AISI 304 **M**
- Air filter
- Stainless steel wire mesh AISI 304
- Filter category G2-G3
- Mean separation rate (Am approx. 65 - 85 %, based on a particle size > 10 µm)
- Seal DIN 7603 A
- Soft iron 1.0338
- Temperature resistant from -30 °C to +200 °C



### INFORMATION

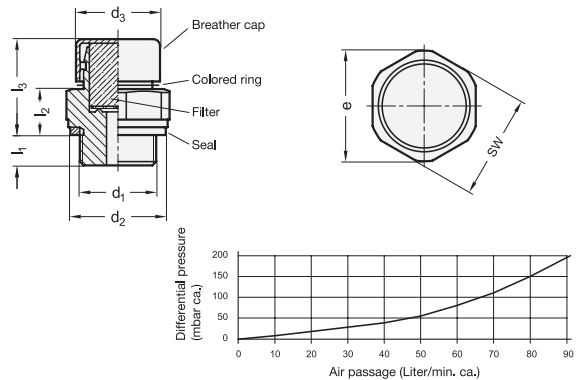
- Breather filters GN 882 are used when the air exchange is to be allowed between the inside of the container and the ambient air. The filter function is marked by a blue color ring.
- The stainless steel wire mesh prevents air-borne particles of a certain size from being carried from the outside to the inside of the container. It also ensures that e.g. oil particles do not escape to the outside.
- The above diagram shows the air passage as a factor of the differential pressure.
- The recommended installation position is vertical to the top.
- Assembly instruction:**
- For mounting on walls of less than 4 mm thickness please use mounting nuts GN 7430 (see page ).

### ACCESSORY

- Mounting Nuts GN 7430 (see page ).

### ON REQUEST

- Other materials
- With dipstick



### GN 882

Description	d1	d2	d3	e	l1	l2	l3	A/F	△
GN 882-M12x1.5-MS-M	M 12 x 1.5	18	20	23.5	8.5	11.5	24.5	22	40
GN 882-M14x1.5-MS-M	M 14 x 1.5	20	20	23.5	8.5	11.5	24.5	22	44
GN 882-M16x1.5-MS-M	M 16 x 1.5	22	20	23.5	8.5	11.5	24.5	22	49
GN 882-M18x1.5-MS-M	M 18 x 1.5	24	20	23.5	8.5	11.5	24.5	22	53
GN 882-M20x1.5-MS-M	M 20 x 1.5	26	20	29	8.5	11.5	24.5	27	75
GN 882-M22x1.5-MS-M	M 22 x 1.5	27	20	29	8.5	11.5	24.5	27	79
GN 882-M24x1.5-MS-M	M 24 x 1.5	29	20	32.5	8	12	25	30	97
GN 882-M26x1.5-MS-M	M 26 x 1.5	32	20	34	8	12	25	32	113
GN 882-M30x1.5-MS-M	M 30 x 1.5	36	20	39	8	12	25	36	148
GN 882-G1/4-MS-M	G 1/4	20	20	23.5	7.5	10.5	24.5	22	42
GN 882-G3/8-MS-M	G 3/8	22	20	23.5	8.5	11.5	24.5	22	49
GN 882-G1/2-MS-M	G 1/2	26	20	29	8	12	25	27	75
GN 882-G3/4-MS-M	G 3/4	32	20	34	8	12	25	32	113
GN 882-G1-MS-M	G 1	39	20	44	8	12	25	41	186